

TABLE OF CONTENTS

R501-01	TABLE OF CONTENTS
R501-02	CABINET LAYOUT
R501-03	BACKPAN LAYOUT
R501-05	POWER DISTRIBUTION
R501-10	ANALOG INPUTS: TURBIDITY & CHLORINE
R501-11	ANALOG INPUTS: TANK LEVELS
R501-12	ANALOG INPUTS: TANK & WELL LEVELS
R501-20	DIGITAL INPUTS: FLOW
R501-21	DIGITAL INPUTS: TANK CALL & PUMPS RUNNING
R501-22	DIGITAL OUTPUTS: PUMP RUN COMMANDS
R501-23	DIGITAL I/O: VALVE CONTROL & MONITORING
R501-24	DIGITAL I/O: VALVE CONTROL & MONITORING

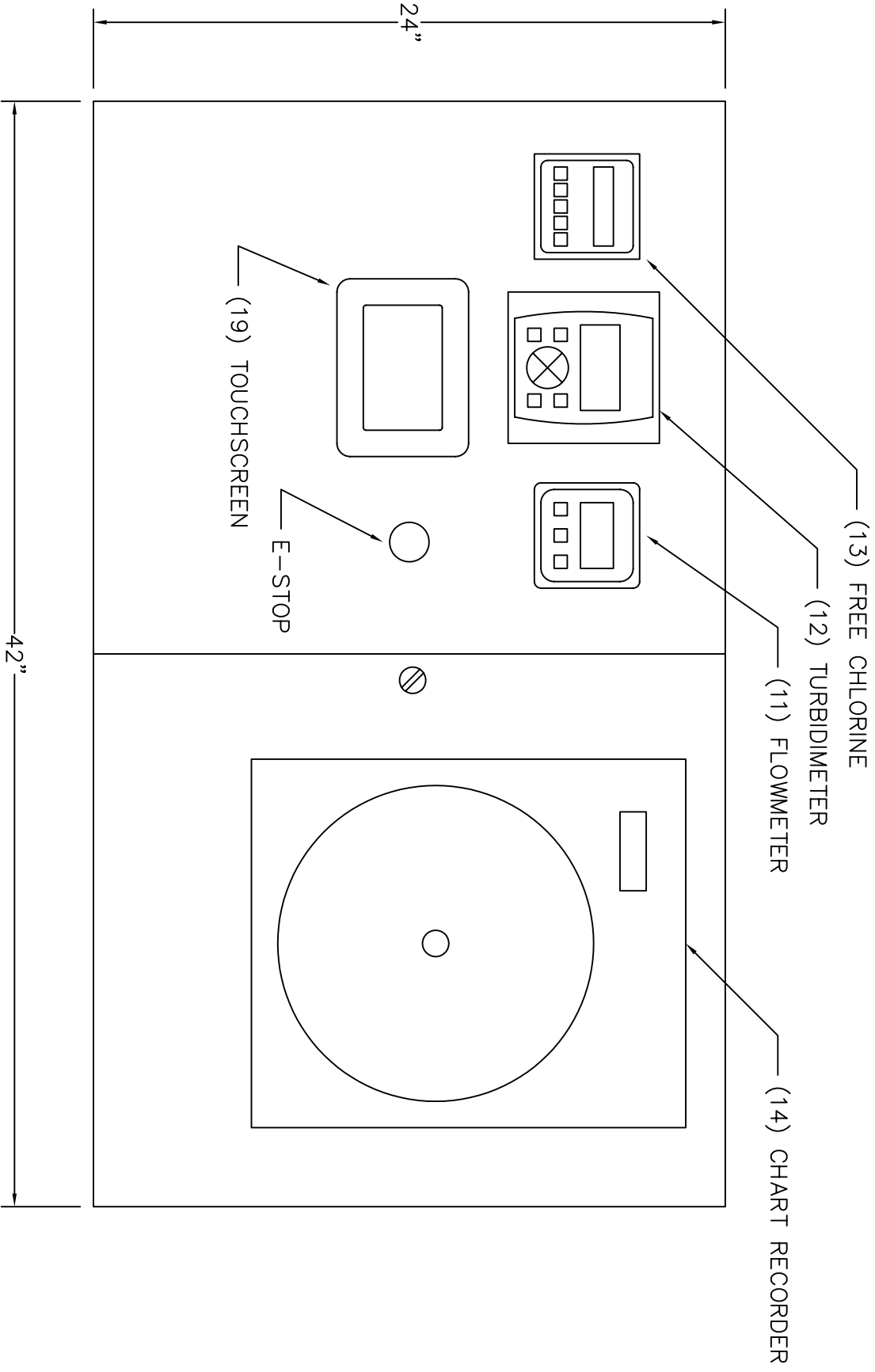
AUTOMATIC CONTROL PANEL
WELL 6R
RIVER PINES PUBLIC UTILITY DISTRICT



Brent F. Stewart, P.E.
Consulting Engineer

PO Box 3116, Diamond Springs, CA 95619 530-621-0300

DATE: APR 30, 2005
DRAWING NO: R501-01
DRAWN BY: B. STEWART

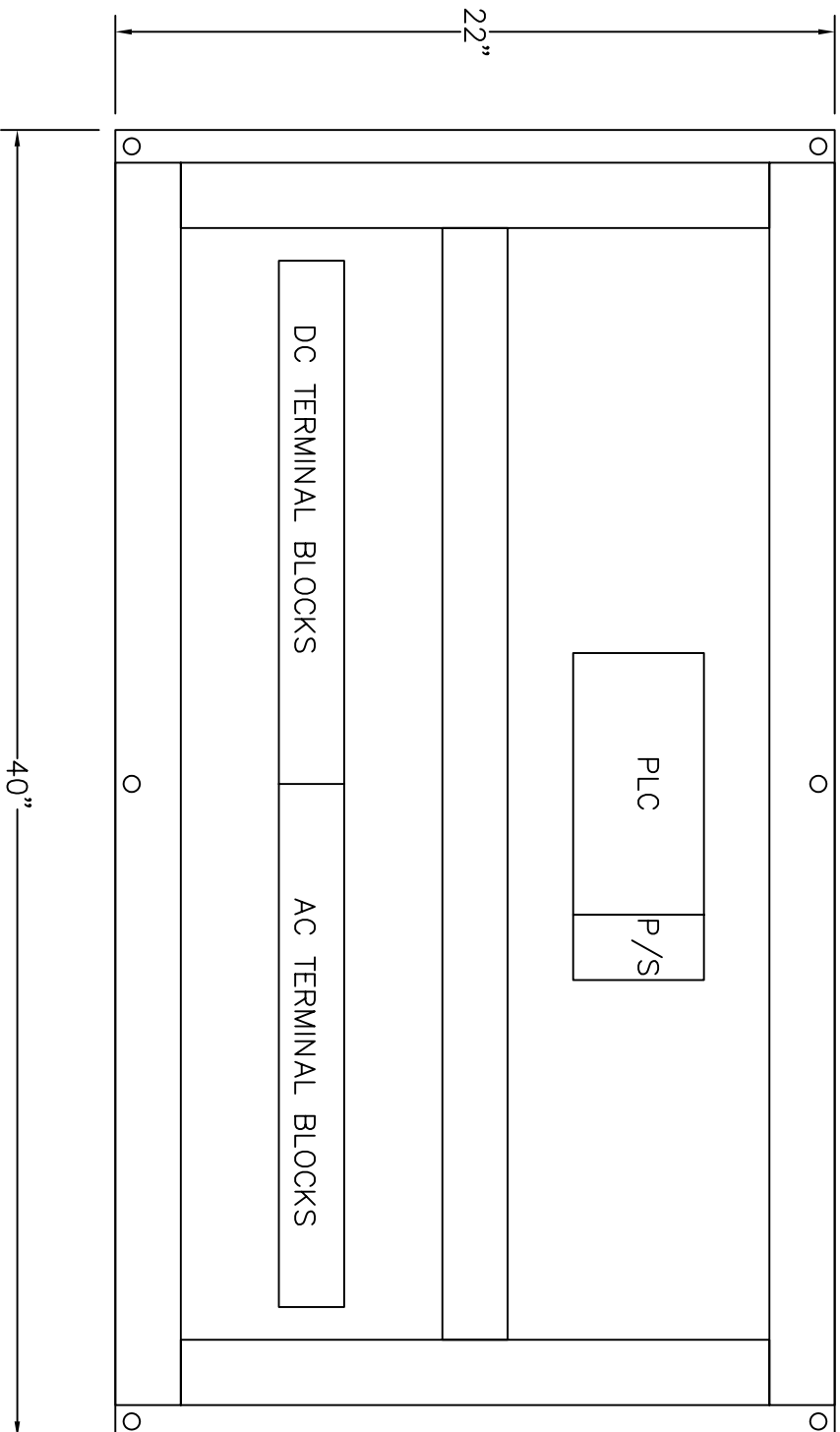


AUTOMATIC CONTROL PANEL
 WELL 6R
 RIVER PINES PUBLIC UTILITY DISTRICT

 **Brent F. Stewart, P.E.**
 Consulting Engineer
 PO Box 3116, Diamond Springs, CA 95619 530-621-0300

REV A: APR 30, 2005

DATE: FEB 11, 2005
 DRAWING NO: R501-02
 DRAWN BY: B. STEWART



AUTOMATIC CONTROL PANEL
 WELL 6R
 RIVER PINES PUBLIC UTILITY DISTRICT

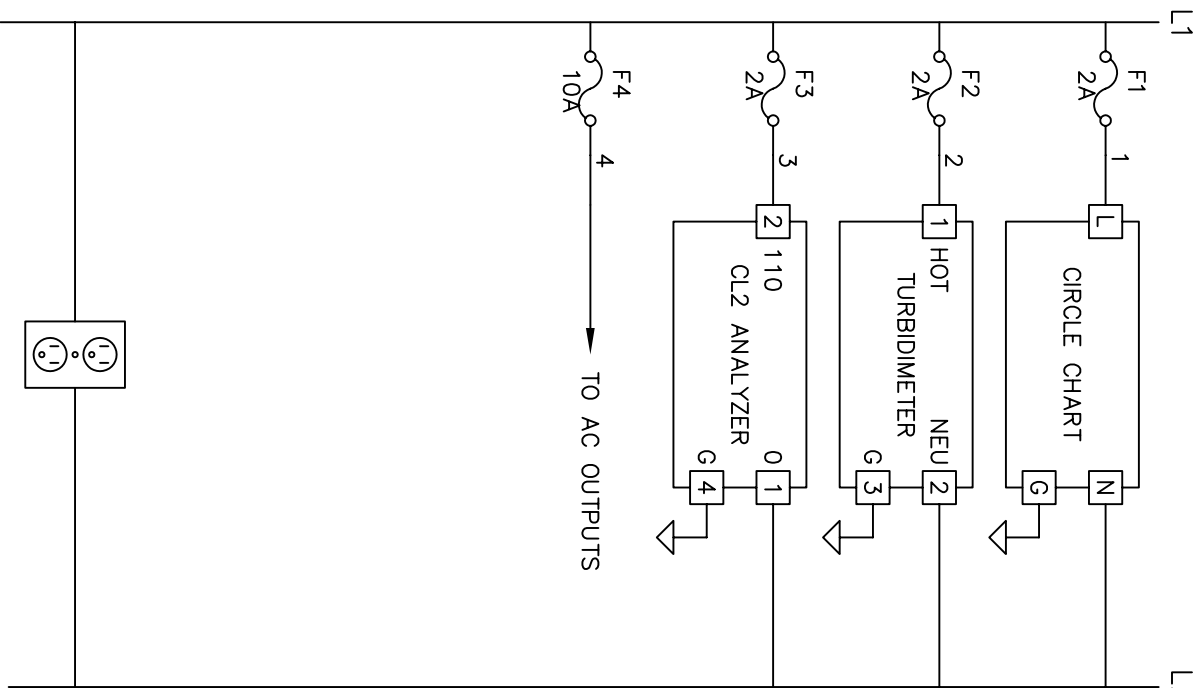


Brent F. Stewart, P.E.
 Consulting Engineer
 PO Box 3116, Diamond Springs, CA 95619 530-621-0300

DATE: APR 30, 2005
 DRAWING NO: R501-03
 DRAWN BY: B. STEWART

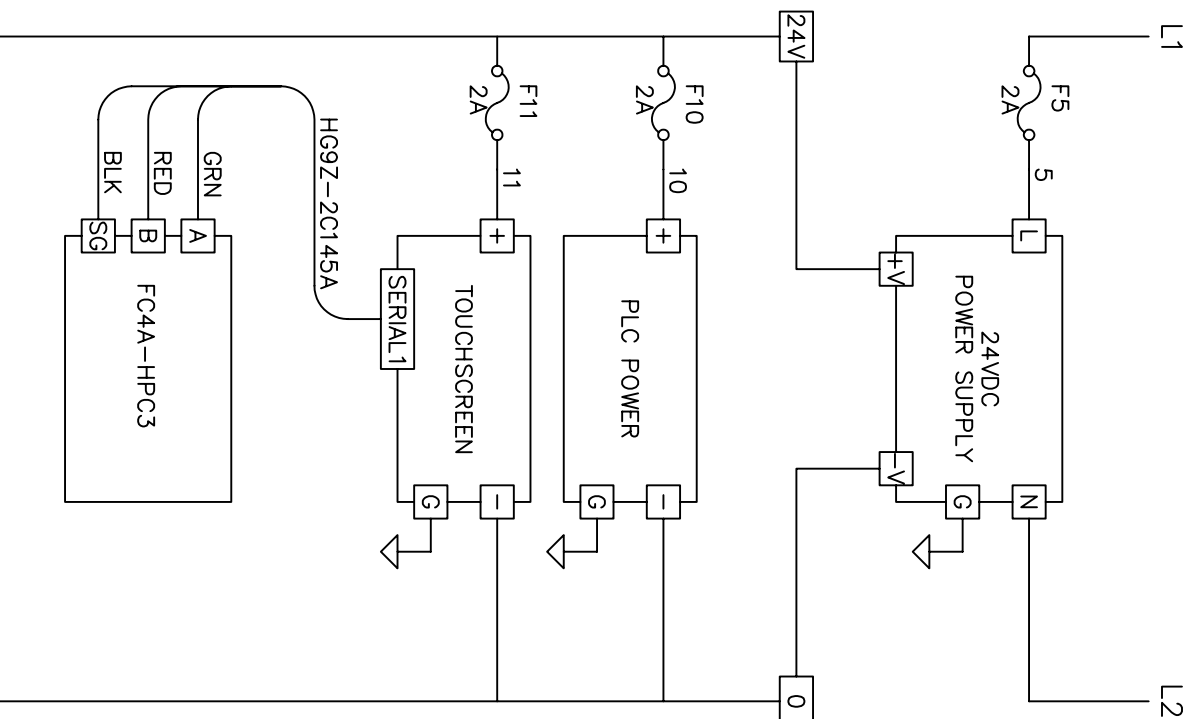
120VAC

AC COM



L1

L2

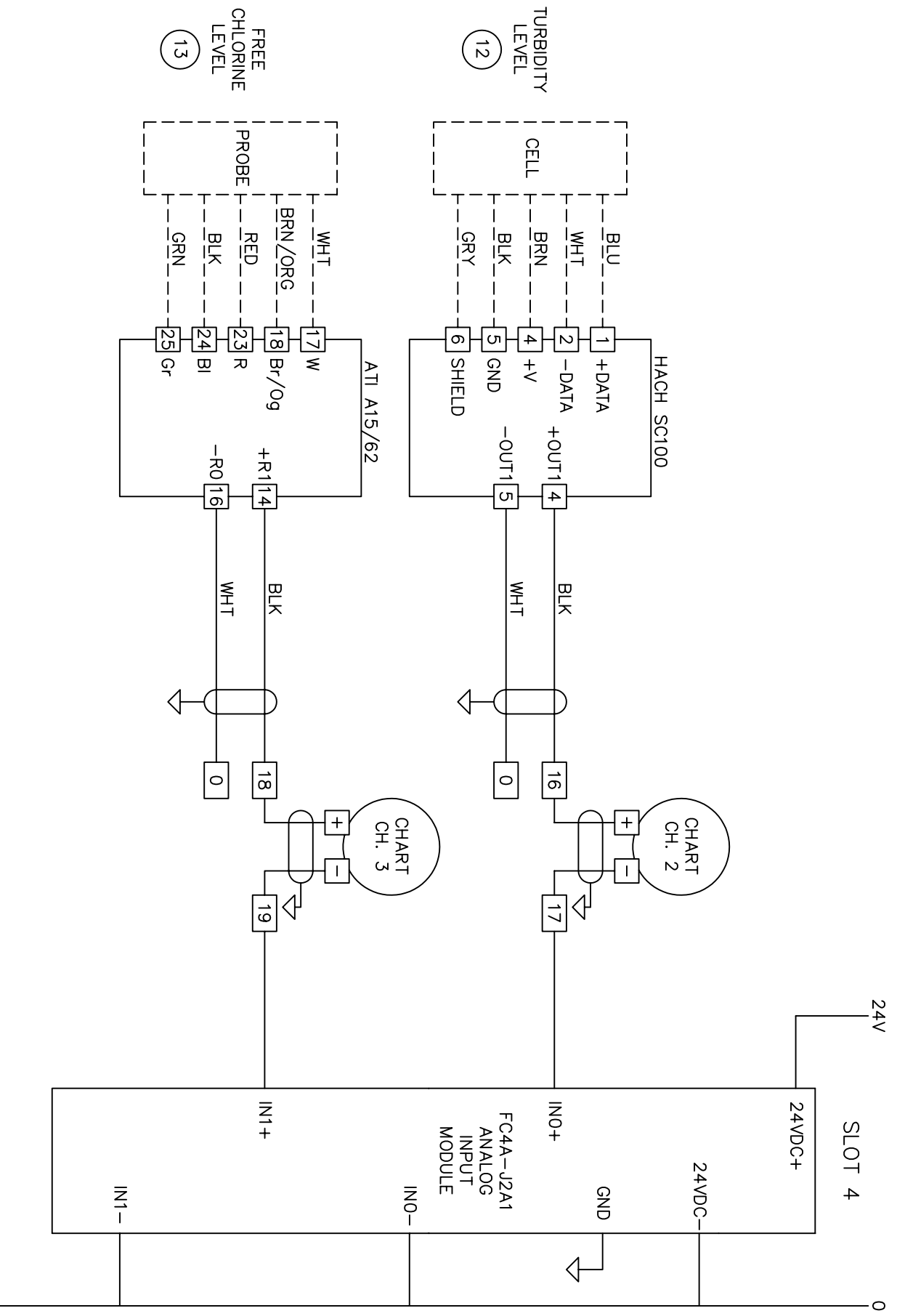


AUTOMATIC CONTROL PANEL
WELL 6R
RIVER PINES PUBLIC UTILITY DISTRICT



Brent F. Stewart, P.E.
Consulting Engineer
PO Box 3116, Diamond Springs, CA 95619 530-621-0300

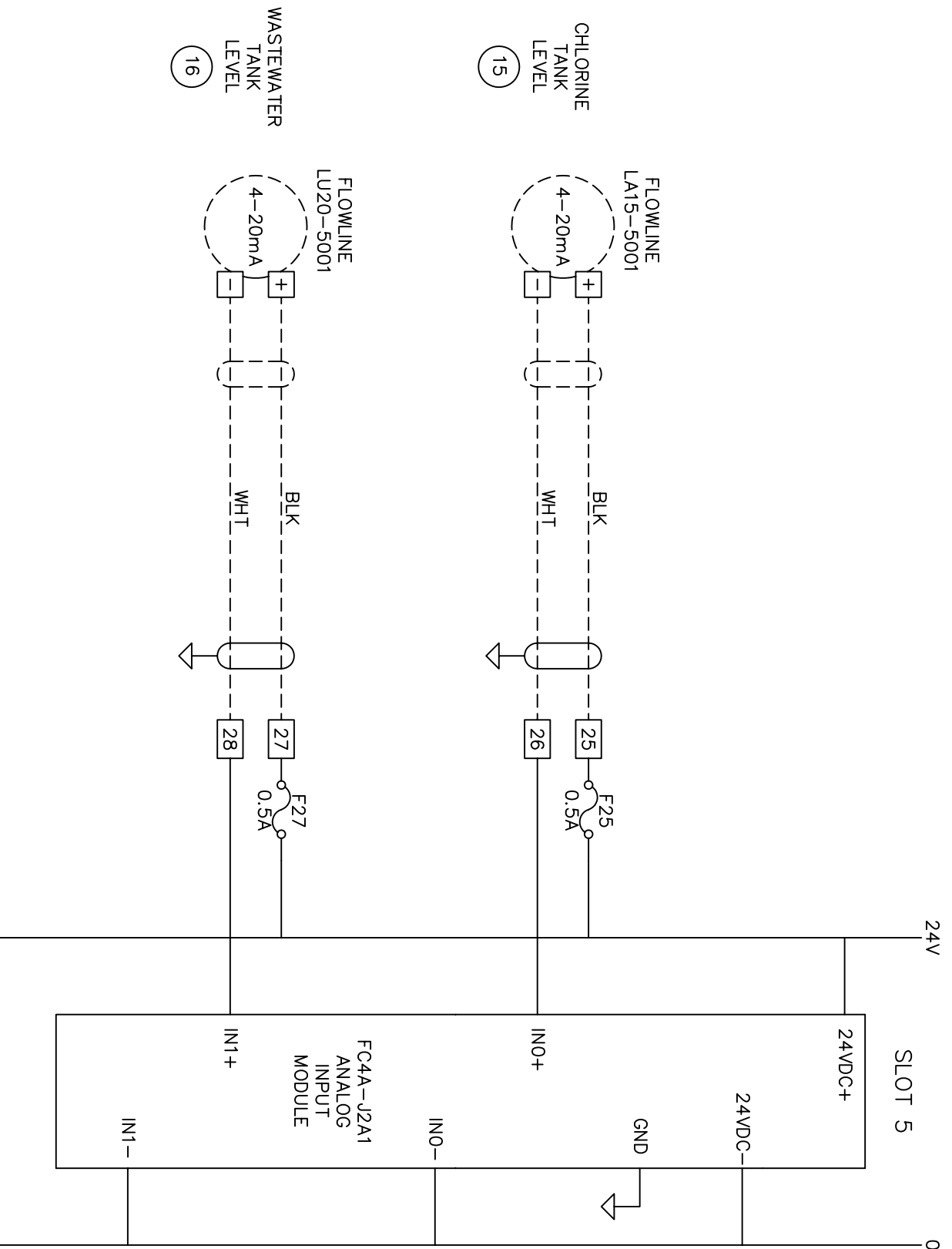
DATE: APR 30, 2005
DRAWING NO: R501-05
DRAWN BY: B. STEWART



AUTOMATIC CONTROL PANEL
 WELL 6R
 RIVER PINES PUBLIC UTILITY DISTRICT

 **Brent F. Stewart, P.E.**
 Consulting Engineer
 PO Box 3116, Diamond Springs, CA 95619 530-621-0300

DATE: APR 30, 2005
 DRAWING NO: R501-10
 DRAWN BY: B. STEWART

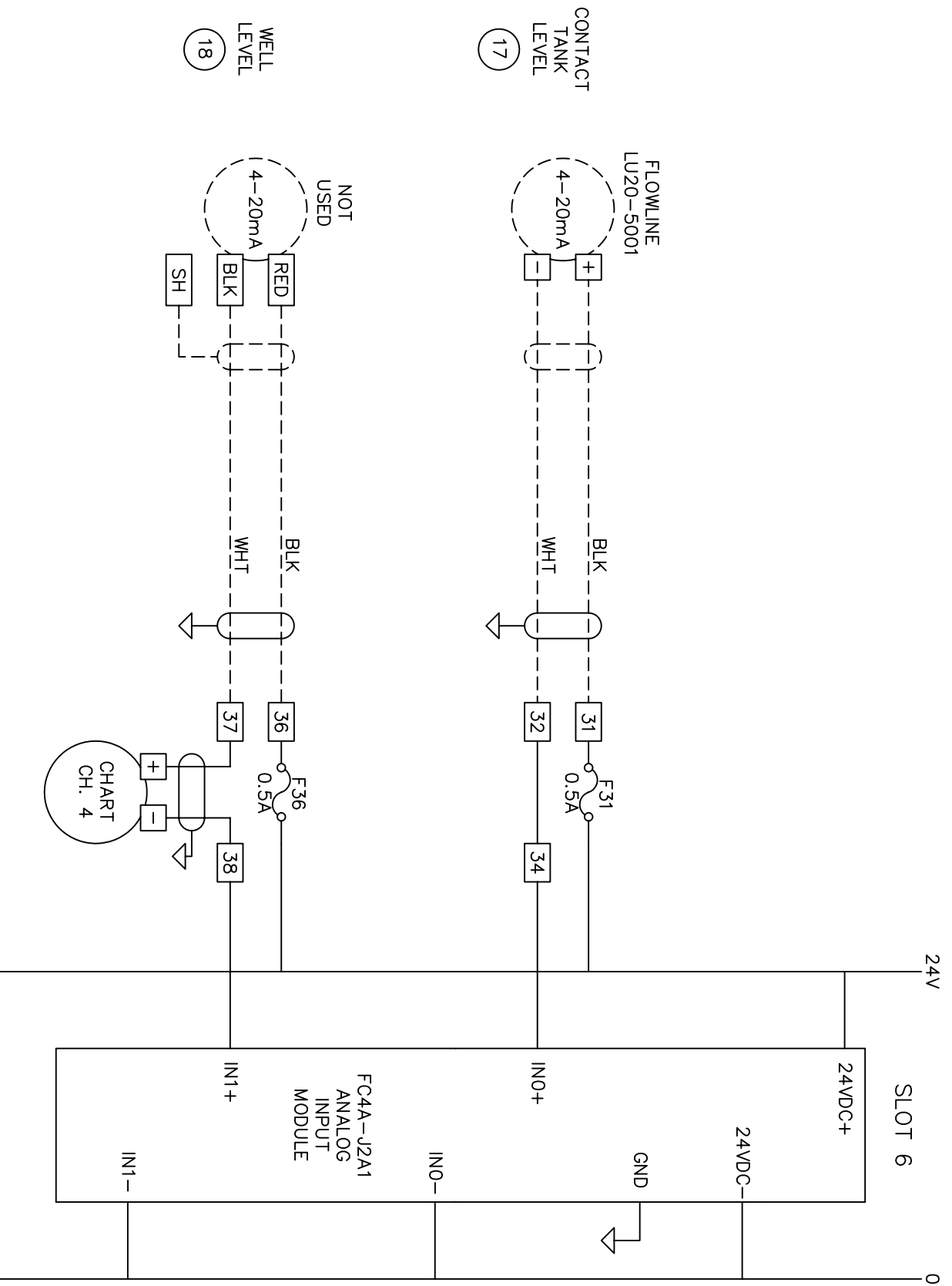


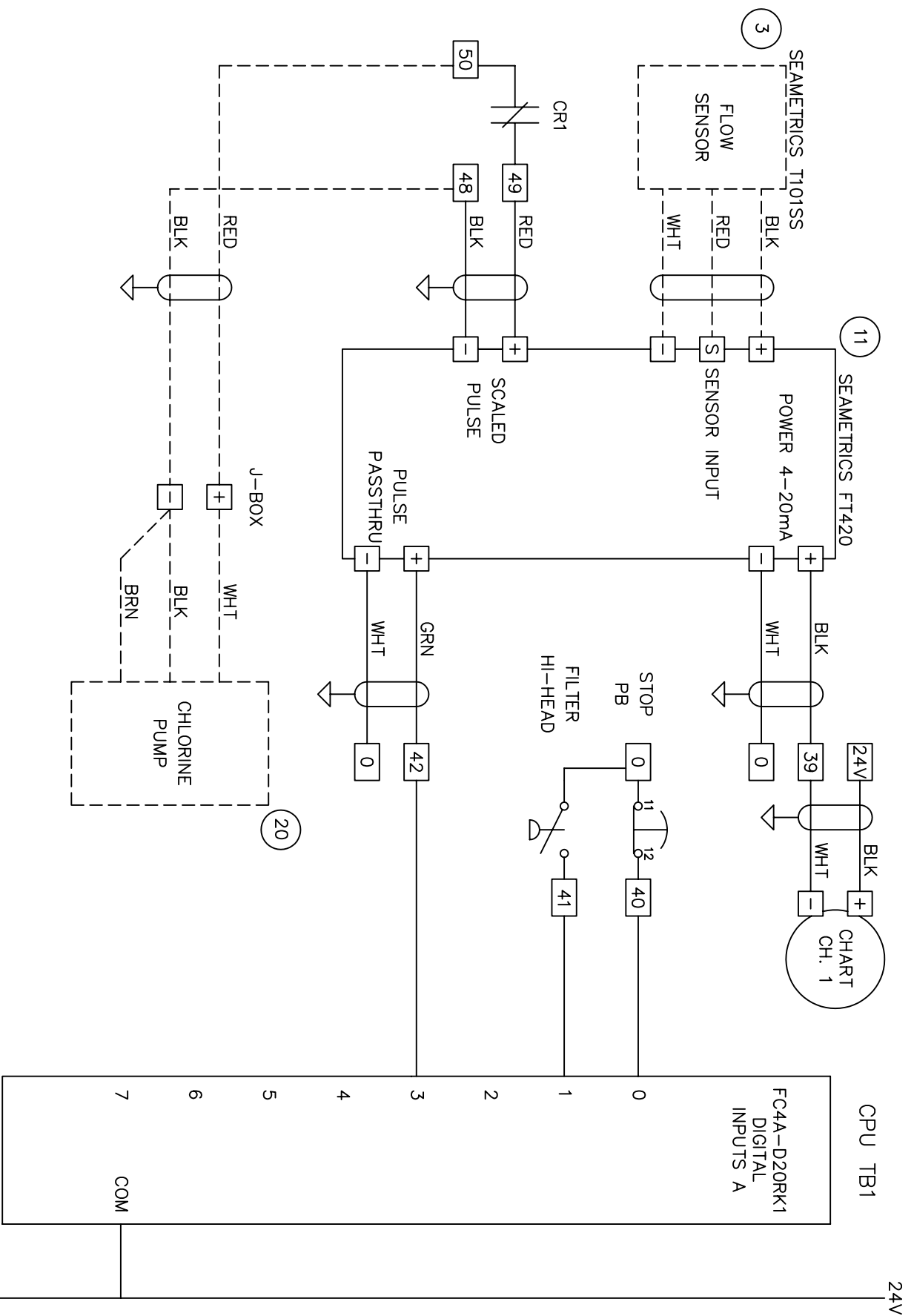
AUTOMATIC CONTROL PANEL
 WELL 6R
 RIVER PINES PUBLIC UTILITY DISTRICT



Brent F. Stewart, P.E.
 Consulting Engineer
 PO Box 3116, Diamond Springs, CA 95619 530-621-0300

DATE: APR 30, 2005
 DRAWING NO: R501-11
 DRAWN BY: B. STEWART



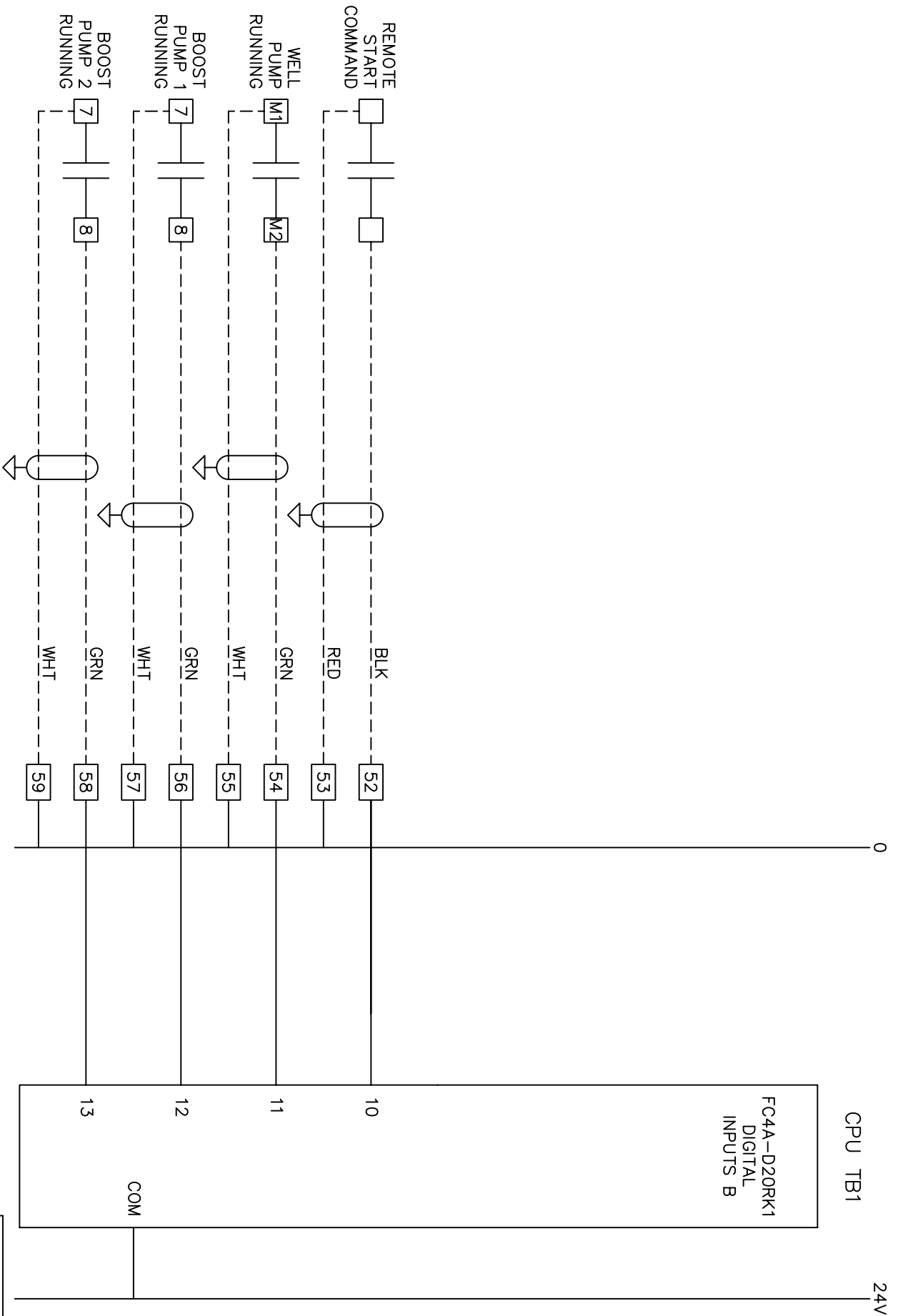


AUTOMATIC CONTROL PANEL
 WELL 6R
 RIVER PINES PUBLIC UTILITY DISTRICT

 **Brent F. Stewart, P.E.**
 Consulting Engineer
 PO Box 3116, Diamond Springs, CA 95619 530-621-0300

DATE: APR 30, 2005
 DRAWING NO: R501-20
 DRAWN BY: B. STEWART

REV. A 8/31/05



AUTOMATIC CONTROL PANEL
 WELL 6R
 RIVER PINES PUBLIC UTILITY DISTRICT

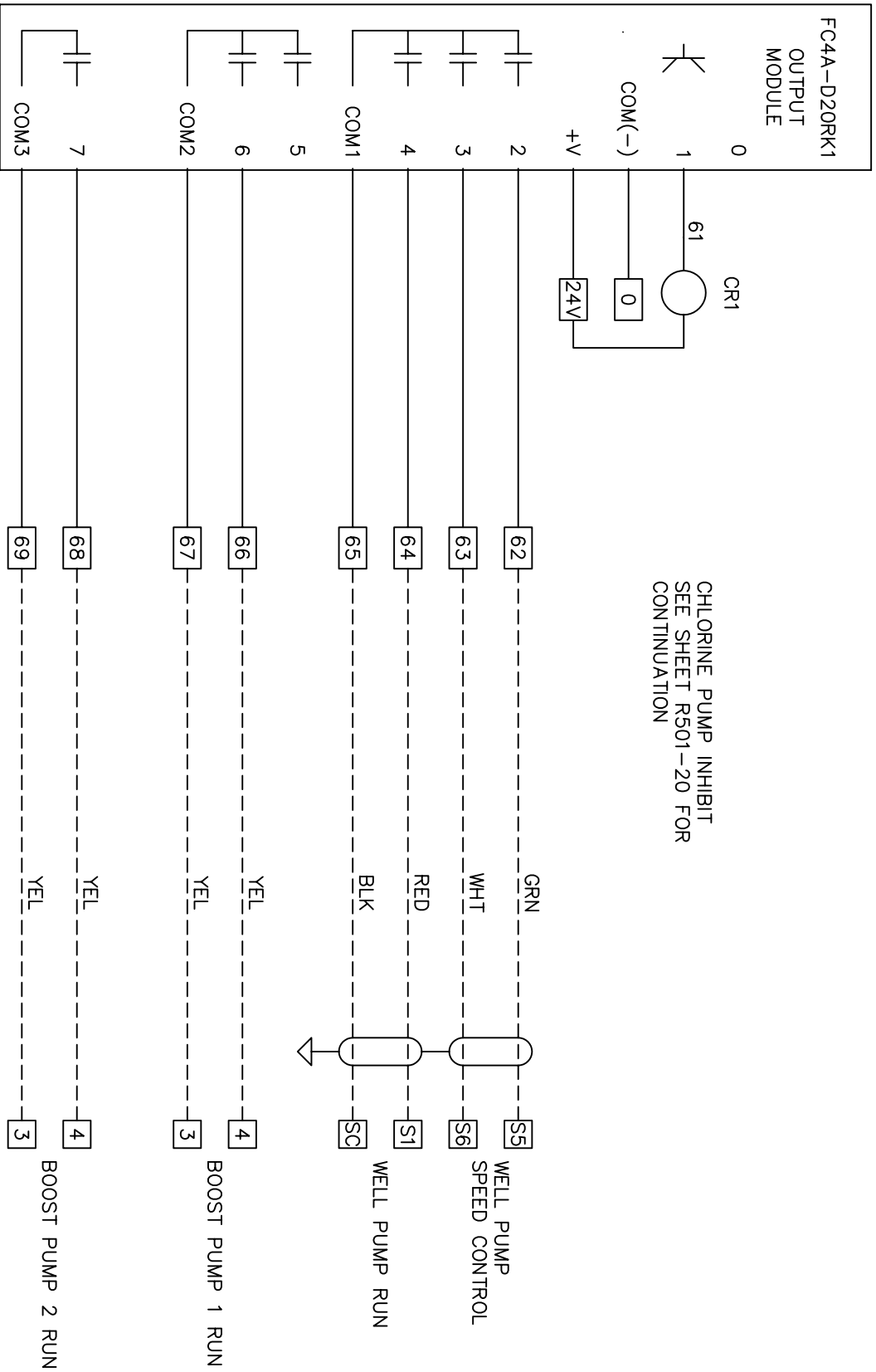
 **Brent F. Stewart, P.E.**
 Consulting Engineer
 PO Box 3116, Diamond Springs, CA 95619 530-621-0300

DATE: APR 30, 2005
 DRAWING NO: R501-21
 DRAWN BY: B. STEWART

REV. A 8/31/05

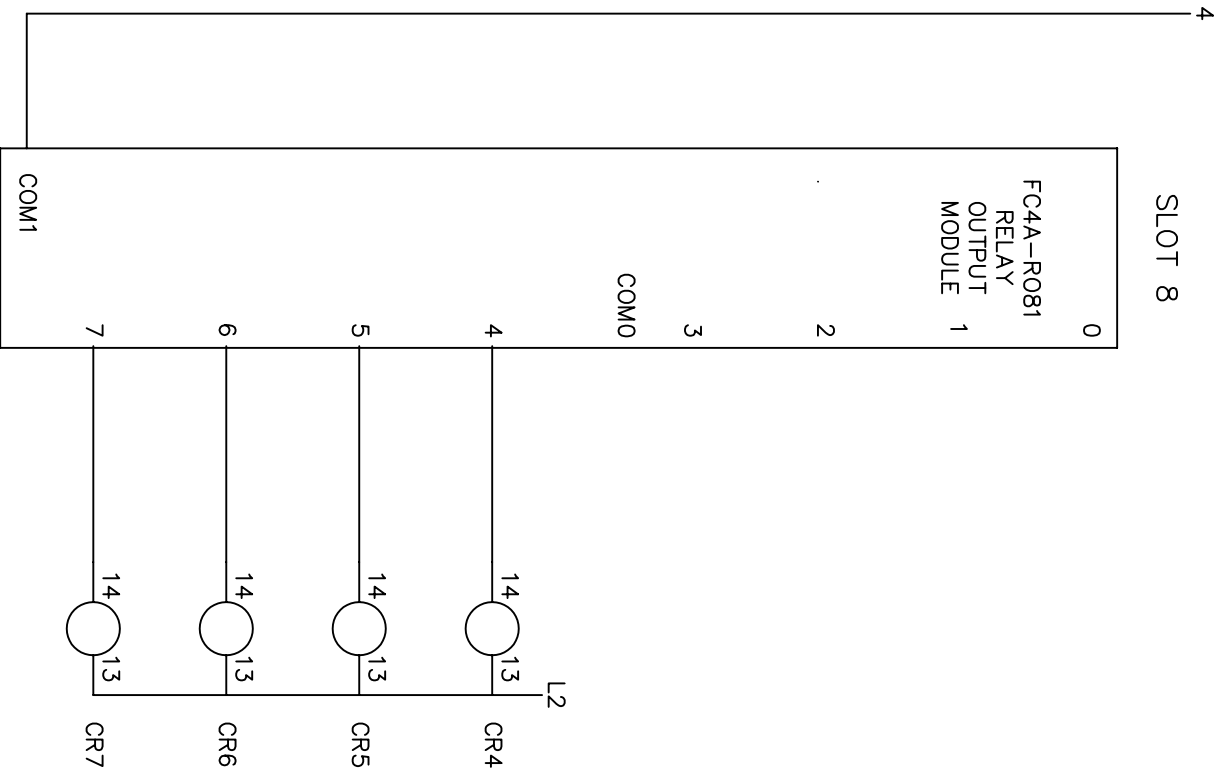
CPU TB2

FC4A-D20RK1
OUTPUT
MODULE



CHLORINE PUMP INHIBIT
SEE SHEET R501-20 FOR
CONTINUATION





AUTOMATIC CONTROL PANEL
 WELL 6R
 RIVER PINES PUBLIC UTILITY DISTRICT



Brent F. Stewart, P.E.
 Consulting Engineer
 PO Box 3116, Diamond Springs, CA 95619 530-621-0300

DATE: APR 30, 2005
 DRAWING NO: R501-23
 DRAWN BY: B. STEWART

REV. A 9/20/05

