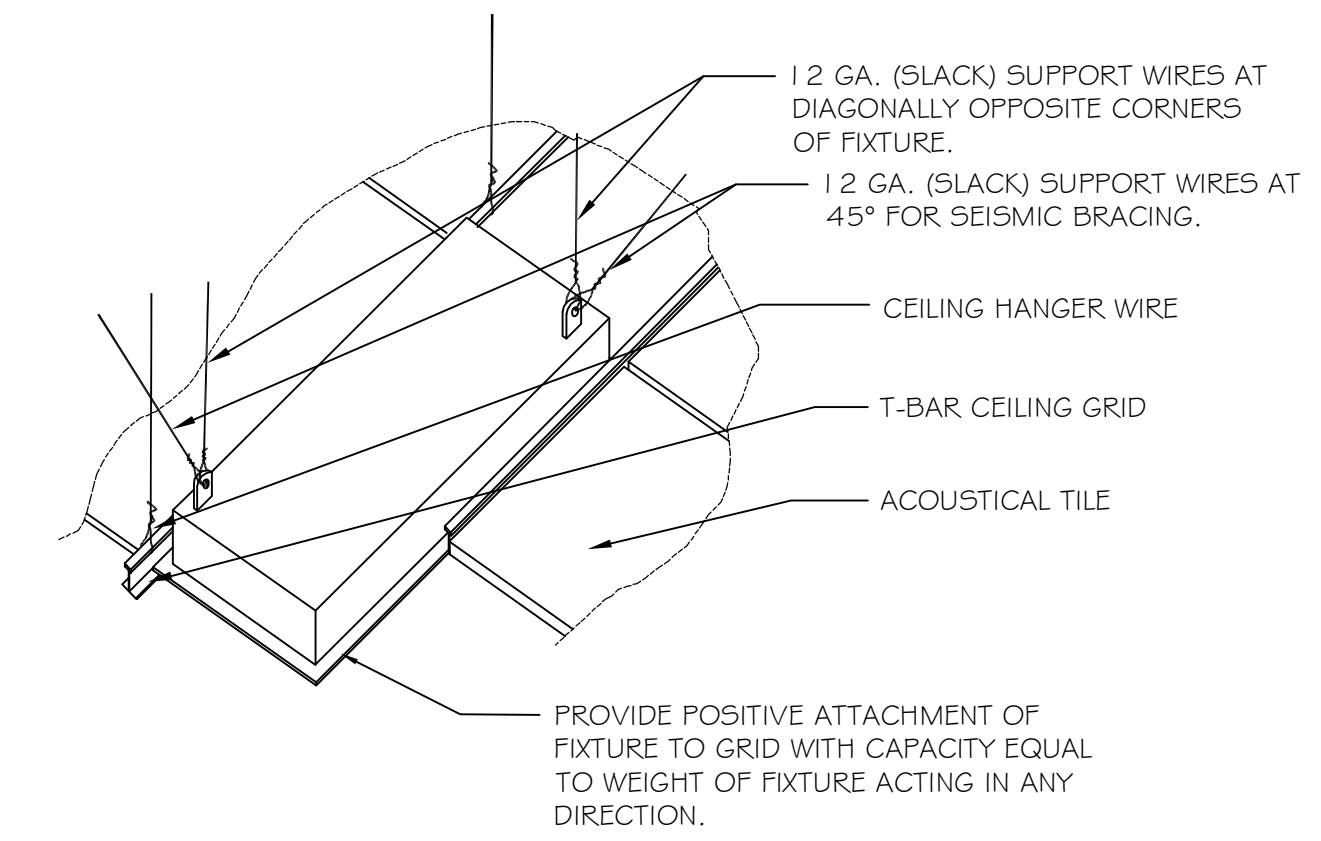
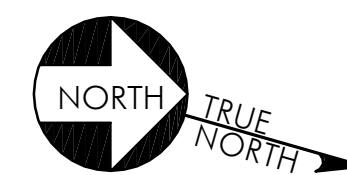
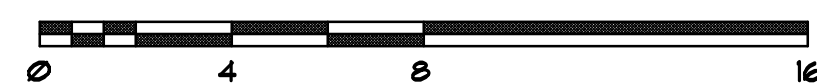


LIGHTING LAYOUT

SCALE: 1/4" = 1'

(USE GRAPHIC SCALE FOR REDUCED PLOTS)



3 FIXTURE MOUNTING DETAIL

SCALE: NONE

CALLOUT	DESCRIPTION	MANUFACTURER # PART #	VOLTS	LAMPS	WATTS	MOUNTING	REMARKS
(B)	2' x 4', 2 LAMP LAY-IN FLUORESCENT TROFFER w/ACRYLIC LENS	LITHONIA 2GT8 2 32 A12 MVOLT GEB10IS	120	(2) F32T8	59	LAY-IN GRID	
(BE)	2' x 4', 2 LAMP LAY-IN FLUOR TROFFER w/ACRYLIC LENS & BATTERY PACK	LITHONIA 2GT8 2 32 A12 MVOLT GEB10IS EL	120	(2) F32T8	59	LAY-IN GRID	CONNECT BATTERY PACK TO UNSWITCHED CIRCUIT
(X)	SINGLE OR DOUBLE FACE LED EXIT SIGN	LITHONIA LQM5W 3G 120/277 ELN	120	LED	5	CEILING / WALL	CONNECT TO UNSWITCHED CIRCUIT

2 FIXTURE SCHEDULE

SCALE: NONE

SHEET NOTES

- ALL SWITCHES, RECEPTACLES AND COVERS TO BE WHITE OR OFFICE WHITE.
- ALL LIGHTING FIXTURES SHALL BE POSITIVELY ATTACHED TO THE SUSPENDED CEILING SYSTEM PER UBC STANDARD 25-2, SEC. 25.213
- ALL LIGHTING FIXTURES INSTALLED IN ACOUSTICAL TILE OR LAY-IN PANEL CEILINGS SHALL BE SUPPORTED DIRECTLY FROM THE FIXTURE HOUSING TO THE STRUCTURE ABOVE WITH A MINIMUM OF TWO 12 GAUGE WIRES PER UBC STANDARD 25-2, SEC. 25.213

Brent Stewart, P.E.
 Consulting Engineer
 PO Box 3116, Diamond Springs, CA 95619
 530-621-0000 FAX 530-626-0959

MIKE LEE ARCHITECT
 P.O. BOX 118
 3600 SETMOUR AVENUE
 W. SACRAMENTO, CA 95651
 916-372-0313 VOICE
 916-372-0512 FAX
 mleeaia@jpe.net - EMAIL
 LICENSED ARCHITECT CA C250664

DRAIN	BES	BES	DATE	01 MAY 07	FILE	2719	FLOT
CHKD.							

WALTON ENG. TRAINING T.I.
 3600 COMMERCE DRIVE
 WEST SACRAMENTO, CA 95651
 916-373-1152
 YOLO COUNTY
 APN 008-030-37

DATE	REV

SHEET TITLE
LIGHTING LAYOUT

THESE DOCUMENTS AS INSTRUMENTS OF SERVICE ARE THE PROPERTY OF BRENT STEWART, P.E. CONSULTING ENGINEER AND SHALL NOT BE REPRODUCED OR TRACED WITHOUT THE WRITTEN CONSENT OF BRENT STEWART, P.E.
 COPYRIGHT © 2007

E-3
 OF SHEETS

