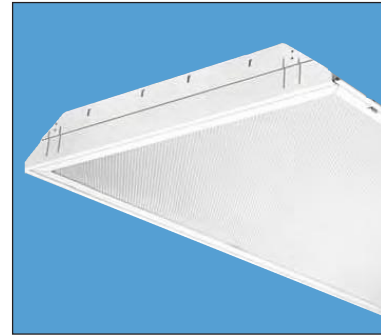


FIRST BAPTIST CHURCH OF FAIR OAKS

FIXTURES "A", "B", & "K" General T8 Troffers

GT8

Static



Intended Use

Low-profile, static T8 luminaire provides general illumination for recessed indoor applications. Ideal for restricted plenums.

Features

Innovative low-profile design optimized around T8 lamps and low-profile electronic ballasts.

Hemmed sides provide smooth edges for easy handling during installation.

Standard steel door frame features precise flush mitered corners. Unique design delivers a premium extruded appearance.

Housing and door frame interface provides a superior mechanical light seal without the use of foam gasketing.

Standard latch provides spring action. Door latches and hinges from either side.

Improved performance – higher fixture efficiency.

Integral T-bar safety clips are standard – no need to install separate clips.

Aluminum door frames available, flush or recessed.

Compatible with most ceiling types. Field trim modification kits also available. See page 107.

U.S. patents – 6,210,025; 6,231,213; 6,213,625; 2,288,471.

Listings

UL Listed (standard). CSA Certified or NOM Certified (see Options).

Ordering Information

Example: 2GT8 4 32 A12 MVOLT 1/4 GEB10IS

Series	Number of lamps	Frame type	Voltage	Options
GT8 1' wide	1 ¹	(blank) Flush steel, white	MVOLT	1/3 One 3-lamp ballast
2GT8 2' wide	2	FN Flush aluminum, natural	120	1/4 One 4-lamp ballast
	3	FM Flush aluminum, matte black	277	GEB Electronic ballast, <20% THD
	4 ²	FW Flush aluminum, white	347	GEB10IS T8 electronic ballast, <10% THD, instant start
	Not included.	RN Regressed aluminum, natural	Others available.	GEB10RS T8 electronic ballast, <10% THD, rapid start
		RM Regressed aluminum, matte black		CSA CSA Certified
		RW Regressed aluminum, white		NOM NOM Certified
				Seepages 106, 109 for others.
Trim type	Lamp type	Diffuser type		
(blank) Grid	17 17W T8 (24")	A12 #12 pattern acrylic		
F Flanged	U31 31W T8 U (1 5/8" leg)	A12125 #12 pattern acrylic, .125" thick		
	U316 31W T8 U (6" leg) ³	A19 #19 pattern acrylic, .156" thick		
	32 32W T8 (48")	A15 #15 pattern acrylic, .200" thick		
	CF40 40W TTS (24") ³	K20 #20 pattern acrylic, .140" thick		
		84Y Holophane 8224 with overlay		
		PC15 1/2"x1/2"x1/2" plastic cube louver, silver		
		PC25 1 1/2"x1 1/2"x1" plastic cube louver, silver with flange ⁴		
		PC35 3/4"x3/4"x1/2" plastic cube louver, silver		

NOTES:
 1 1-lamp model available in 1'x4' only.
 2 4-lamp models available with 17W or 32W straight tube lamps only.
 3 Not available on 3-lamp fixtures. Use U31.
 4 Available with flush door frames only. Some 2x2 lamp and electrical combinations not available with PC2 louvers. Consult factory.

Availability and Dimensions				
Nominal size	Series	Number of lamps	Lamp type	Height in.(cm)
1'x4'	GT8	1, 2, 3	32	4 1/2 (11.4)
		2	17, U31, U316, CF40	3 3/16 (8.0)
2'x2'	2GT8	3	17, U31	3 3/16 (8.0)
		4	17	3 3/16 (8.0)
2'x4'	2GT8	2, 3, 4	32	3 3/16 (8.0)

lightquick^{XD}
Express delivery products.

See page 11 for details about LightQuick XD.

Description

2GT8 2 U316 A12 MVOLT GEB10IS
 2GT8 3 32 A12 MVOLT 1/3 GEB10IS
 2GT8 4 32 A12 MVOLT 1/4 GEB10IS

Open Reflector

FIXTURE "C"

AFV

Vertical Lamp

Double Twin-Tube (DTT)
Triple-Tube (TRT)

Optical System

Self-flanged, semi-specular or matte-diffuse reflector. Patented Vertisys® - Bounding Ray™ Optical Principle design (U.S. Patent No. 5,800,050) provides lamp before lamp image, lamp image that reflects smoothly from the top of the reflector to the aperture,

Intended Use

For general downlight applications that demand high efficiency and low aperture brightness.

providing optimal fixture performance and efficiency.

Electrical System

Rugged aluminum lampholder housing. Vertically-mounted, positive-latch, thermoplastic socket. Class P, thermally-protected, high power factor ballast mounted to the

junction box.

Mounting

16-gauge galvanized steel mounting/plaster frame with thru-wire junction box. Expandable, self-locking mounting bars provide horizontal and vertical adjustment.

Listings

Fixtures are UL Listed for thru-branch wiring, Non-IC recessed mounting and damp locations. Listed and labeled to comply with Canadian Standards.

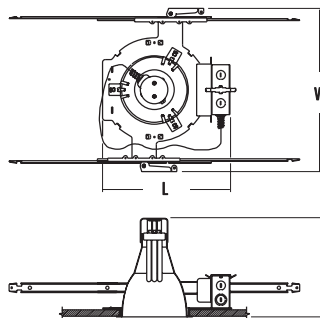
Ordering Information

Example: **AFV 26TRT 6AR MVOLT**

Series	Wattage/lamp	Aperture	Trim color	Finish	Lens type	Voltage	Options/accessories
AFV	13DTT	4 ¹	AR Clear	(blank) Semi-specular	(blank) No lens	120	See pages 266-271.
	18DTT	5 ¹	PR Pewter	LD Matte-diffuse	CGL Clear glass lens	277	
	26DTT	6	UBR Umber		CAL Clear acrylic lens	347	
	18TRT	8	WTR Wheat		PCL Clear polycarbonate lens	MVOLT ³	
	26TRT		WR White painted ²		T73 Tempered prismatic lens		
	32TRT		MB Black baffle ²		A12 Prismatic acrylic lens		
	42TRT		WB White baffle ²		PPC Prismatic polycarbonate lens		

Catalog No.	Lamp	Height (H)	Length (L)	Width (W)	Aperture	Ceiling opening	Overlap trim
AFV 4	DTT, TRT	9 (22.9)	13-5/8 (34.6)	15-7/8 (40.3)	4-5/16 (11.0)	5-1/8 (13.0)	5-7/16 (13.8)
AFV 5	DTT, TRT	9-3/8 (23.8)	13-5/8 (34.6)	15-7/8 (40.3)	5 (12.7)	5-7/8 (14.9)	6-1/4 (15.9)
AFV 6	DTT, 42TRT	10-1/4 (26.0)	13-5/8 (34.6)	15-7/8 (40.3)	6-1/4 (15.9)	7-1/8 (18.1)	7-1/2 (19.1)
AFV 6	13DTT, TRT	9-3/8 (23.8)	13-5/8 (34.6)	15-7/8 (40.3)	6-1/4 (15.9)	7-1/8 (18.1)	7-1/2 (19.1)
AFV 8	DTT, 42TRT	11 (27.9)	13-3/4 (34.9)	15-7/8 (40.3)	7-7/8 (20.1)	8-7/8 (22.5)	9-1/4 (23.5)
AFV 8	13DTT, TRT	10-1/8 (25.7)	13-3/4 (34.9)	15-7/8 (40.3)	7-7/8 (20.1)	8-7/8 (22.5)	9-1/4 (23.5)

Drawings are for dimensional detail only and may not represent actual mechanical configuration. Dimensions are shown in inches (centimeters) unless otherwise noted.

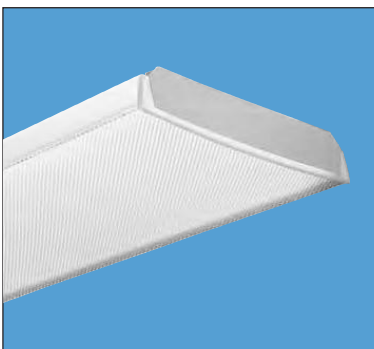


NOTES:

- 1 Available in 13DTT, 18TRT, 26TRT and 32TRT lamp only.
- 2 Not available with LD finish.
- 3 Multi-volt electronic ballast capable of operating on any line voltage from 120V through 277V, 50 or 60 HZ.

Low-Profile Wraparounds

LB



Intended Use

For applications requiring a clean, decorative appearance. Provides high vertical illumination and brightness control.

Features

Acrylic prismatic diffuser with sonic-welded, injection-molded, luminous ends. Matches CB Series in appearance.

White enamel end plates – optional appliques available for field installation.

Linear side prisms control brightness; pyramidal bottom prisms minimize lamp image.

Continuous, interlocking-diffuser support prevents accidental opening, simplifies cleaning and service.

For surface or stem mounting, unit or row installation. Snap-in aligners permit row mounting without tools.

FIXTURE "D"

Minimum two hangers required. For row installation, one hanger per fixture plus one per row required. Four single-stem hangers required for 3-lamp versions.

Listings

UL Listed (standard) and CSA Certified (standard; except for 347V – see Options). NOM Certified (see Options).

Ordering Information

Series	Number of lamps
LB Standard width	2
2LB 2 lamps in wide housing	3
	4

For tandem double-length unit, add prefix T. Example: TLB

Number of lamps
2
3
4

Not included.

Lamp type
17 17W T8 (24")
20 20W T12 (24")
32 32W T8 (48")

Voltage
MVOLT
120
277
347

Options
1/3 One 3-lamp ballast
1/4 One 4-lamp ballast
GEB10IS T8 electronic ballast, ≤10% THD, instant start
GEB10RS T8 electronic ballast, ≤10% THD, rapid start
CSA CSA Certified (347V only)
NOM NOM Certified

See page 112 for others.

Example: LB 2 32 MVOLT GEB10IS

Accessories (Order separately)

Order one pair per fixture or row

- LB2W* Walnut end plate appliques for narrow body, one pair.
- LB4W* Walnut end plate appliques for wide body, one pair.

*For teak appliques, substitute T for W in catalog number. Example: LB2T.

lightquick[®] XD
Express delivery products.

See page 11 for details about LightQuick XD.

Description

LB 4 32 MVOLT 1/4 GEB10IS

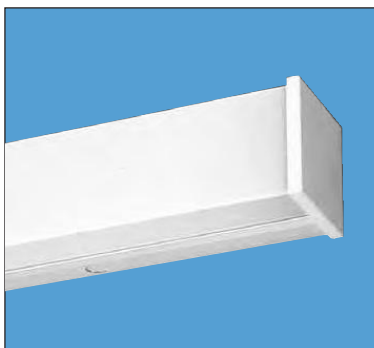
LB 2 32 MVOLT GEB10IS

Availability and Dimensions						
Series	Lamps per cross section	Lamps per fixture	Lamp length in.	Width in. (cm)	Depth in. (cm)	Length in. (cm)
LB	2	2	24	10 (25.4)	3 (7.6)	24 (61.0)
	4	4	24	15 ⁵ / ₈ (39.1)	3 (7.6)	24 (61.0)
2LB	2	2	48	10 (25.4)	3 (7.6)	48 (121.9)
	3	3	48	15 ⁵ / ₈ (39.1)	3 (7.6)	48 (121.9)
	4	4	48	15 ⁵ / ₈ (39.1)	3 (7.6)	48 (121.9)
TLB	2	2	48	15 ⁵ / ₈ (39.1)	3 (7.6)	48 (121.9)
	2	4	48	10 (25.4)	3 (7.6)	96 (243.8)
T2LB	3	6	48	15 ⁵ / ₈ (39.1)	3 (7.6)	96 (243.8)
	4	8	48	15 ⁵ / ₈ (39.1)	3 (7.6)	96 (243.8)
T2LB	2	4	48	15 ⁵ / ₈ (39.1)	3 (7.6)	96 (243.8)

All-Purpose Wall Brackets

FIXTURE "E"

WC



Intended Use

For multi-purpose areas such as corridors, utility rooms and lavatories where high vertical illumination is required.

Listings

UL Listed (standard). CSA Certified or NOM Certified (see Options).

Features

Available in 2', 3' and 4' models.
 Suitable for wall or ceiling mounting.
 Can be mounted vertically or horizontally. For individual mounting.
 Steel housing with opal acrylic diffuser standard. Clear, prismatic #12 pattern acrylic lens and front metal fascia available.
 Easy-maintenance design. Standard endcaps are spring-loaded for easy diffuser removal – no tools required.

Ordering Information

Example: WC 2 32 MVOLT GEB10IS

Series	Number of lamps	Lamp type	Diffuser type	Voltage	Options
WC	1 2 Not included.	17 17W T8 (24") 20 20W T12 (24") 25 25W T8 (36") 30 30W T12 (36") 32 32W T8 (48")	(blank) Matte white opal acrylic A12 #12 pattern acrylic FAC Matte white opal acrylic with front metal fascia FA12 #12 pattern acrylic with front metal fascia	MVOLT 347	GEB10IS T8 electronic ballast, ≤10% THD, instant start GEB10PS T8 electronic ballast, ≤10% THD, rapid start S1 On/off pull-switch (all lamps), lower left ^{1,2} CO Grounded convenience outlet, lower right ^{1,2} MB Architectural matte black finish CSA CSA Certified NOM NOM Certified

NOTES:
 1 120V only.
 2 Specify 120/277V.

Availability and Dimensions					
Series	Number of lamps	Lamp type	Width in. (cm)	Depth in. (cm)	Length in. (cm)
WC	1, 2	17, 20	4 $\frac{5}{8}$ (11.7)	4 $\frac{5}{8}$ (11.7)	24 (61.0)
		25, 30	4 $\frac{5}{8}$ (11.7)	4 $\frac{5}{8}$ (11.7)	36 (91.4)
		32	4 $\frac{5}{8}$ (11.7)	4 $\frac{5}{8}$ (11.7)	48 (121.9)

Recessed wall luminaires

Housing: Die cast aluminum with integral wiring compartment.

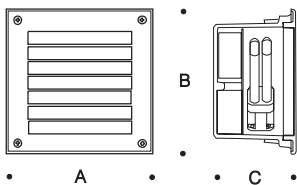
Enclosure: One piece die cast aluminum faceplate, 3/16" thick, etched, clear tempered glass. Faceplate is secured by two four (4) flush socket head stainless steel captive screws threaded into stainless steel inserts in the housing casting. Continuous high temperature O-ring gasket for weather operation.

Electrical: Compact fluorescent lampholder: G24-1 (13W) 4-pin rated 75W, 600V. Ballast: Electronic universal voltage (120V through 277V). Through Wiring: Maximum of four (4) No. 12 AWG conductors (plus ground) suitable for 90°C. Two 7/8" knockouts provided for 1/2" conduit.

Finish: These luminaires are available in five standard BEGA colors: Black (BLK); White (WHT); Bronze (BRZ); Silver (SLV); Eurocoat™ (URO). To specify, add appropriate suffix to catalog number. Custom colors supplied on special order.

U.L. listed, suitable for wet locations and for installation within 3 feet of ground. Suitable for all types of construction including poured concrete. Type non-IC. Protection class: IP 65.

Type: **FIXTURE "F"**
 BEGA Product #:
 Project:
 Voltage:
 Color:
 Options:
 Modified:



Die cast aluminum faceplate with integral louvers. Clear tempered glass with light etch. Flush stainless steel fasteners. U.L. listed, suitable for wet locations. IP 65. Color: Standard BEGA finishes.



		Lamp		Lumen	A	B	C
3117P	Recessed	ADA	1	13W CF quad-4p	860	7½	7½ 4
522	CPC, Concrete Protection Cover for 3117P						

Contemporary Thermoplastic Exits

Quantum®

LED Quick-Mount®



Intended Use

Ideal for applications requiring attractive, quick installation exit signs and low energy consumption.

Features

Precision-molded thermoplastic housing is impact and scratch resistant, corrosion proof and UV-stabilized to resist discoloration.

Innovative snap-together design allows installation in less than three minutes.

Long-life LEDs feature very low energy consumption and rated life up to 25 years. Consumes less than one watt of energy.

Fully assembled single-face exit with optional extra faceplate for easy field conversion to double face.

FIXTURE "X"

Replaceable chevron directional indicator knockouts for choice of direction.

Universal mounting capability – top, back or end (canopy provided).

Automatic recharge after discharge.

Conveniently located test switch and status indicator provide visual and manual means of monitoring system operation.

The self diagnostic emergency signs comply with NFPA Life Safety Code and automatically test the battery once a month for five minutes and once every six months for 30 minutes.

U.S. Patent No. 5,526,251, 5,611,163, 5,739,639 and 5,954,423. Other patents pending.

Listings

UL Listed (standard). CSA or NOM Certified (see Options).

Ordering Information

Example: LQM S W 3 R 120/277 EL N

Family LQM LED	Housing color (blank) Black ³ W White	Number of faces 1 Single ^{2,3} 3 Single with extra faceplate and color panel for field conversion to double-face	Panel color R Red G Green ³	Input voltage⁴ 120/277 Dual voltage ³ 120/347 Dual voltage ⁵	Operation (blank) Standard non-emergency EL N Nickel-cadmium battery ⁹ EL N SD Nickel-cadmium battery with self-diagnostics ^{3,6} LDC6 6V DC input for LED lamp ⁵ LDC12/48 12-48V DC input for LED lamps ⁵	Options² For options and fixture compatibility, see page 431.
Face type S Stencil P Panel ^{1,2,3}						Certification (blank) UL Listed CSA CSA Certified NOM NOM Certified

lightquick^{XD}
Express delivery products.
See page 11 for details about LightQuick XD.

Description
LQM S W 3 G 120/277 EL N
LQM S W 3 R 120/277 EL N
LQM S W 3 R 120/277

- Quick-Mount® Installation:
- 1) Connect jumper leads (provided) to AC input leads in J-box. Fasten bracket and canopy to J-box.
 - 2) Remove faceplate from housing and snap housing onto canopy.
 - 3) Connect input leads to leads at corner of housing wire channel. Connect battery.
 - 4) Snap out directional chevron indicators (if necessary) and snap faceplate onto canopy.

Electrical Application Data			
Type	Volts	Amps	Watts
<i>Primary Circuit</i>			
Standard	120	.04	.57
LED Red	277	.05	.68
Standard	120	.05	.62
LED Green	277	.05	.72
Emergency	120	.04	.72
LED Red	277	.92	.92
Emergency	120	.04	.72
LED Green	277	.05	.92
<i>Emergency Circuit</i>			
LDC6	6	.16	.96
LDC12/48	12	.10	1.20
LDC12/48	24	.05	1.24
LDC12/48	32	.04	1.28
LDC12/48	48	.03	1.36

Exit signage
(blank) Exit
SALIDA Salida^{2,7}

Accessories ⁸		(Order separately)
ELA W US12	12" stem kit with white canopy ⁹	
ELA WGEX	Back-mount wireguard	
ELA WGEXT	Top-mount wireguard	
ELA WGEXE	End-mount wireguard	

- NOTES:
- 1 For custom signage only. Special wording available on panel face, white housing only, see page 430.
 - 2 See "With options" below for special housing dimensions.
 - 3 Not available with CSA.
 - 4 Some special voltages available. Consult factory.
 - 5 Only available with CSA.
 - 6 See "SD option" below for special housing dimensions.
 - 7 Letters 6" high with 7/16" stroke.
 - 8 For additional options, accessories and fixture compatibility, see page 431.
 - 9 Replace W with B for black canopy.

Dimensions are shown in inches (millimeters) unless otherwise noted.

